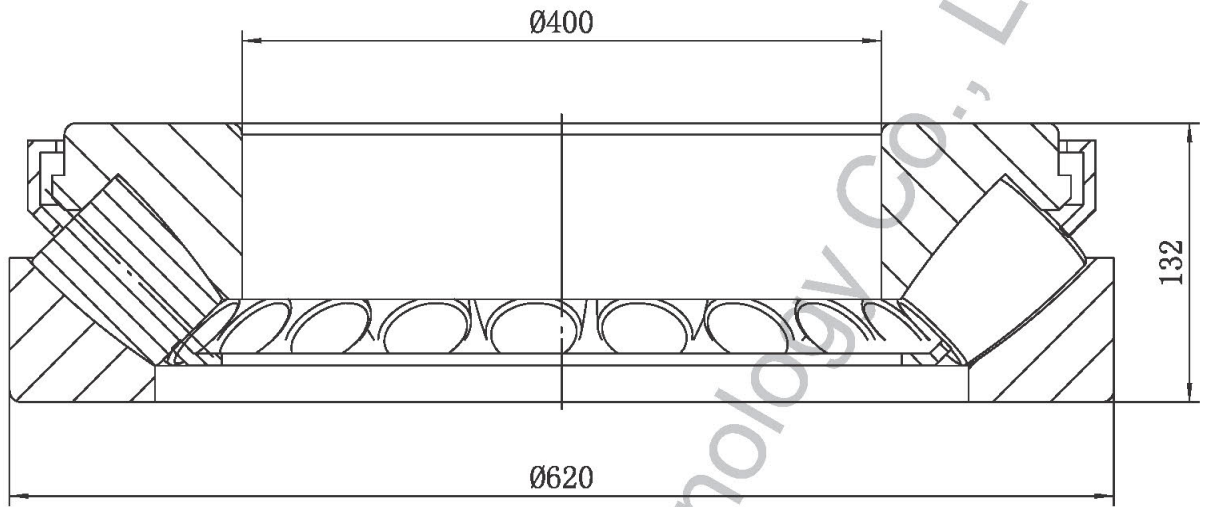


29380E



- 1 rated load: Cr= 3550 KN ; Cor= 16300 KN ;
- 2 Heat treatment according to the current standards

Remark:

- 1. Luoyang JCB Bearing Technology Co., Ltd is a technical Inc, specialize in designing and manufacturing thrust bearing, we can design and manufacture all kinds of thrust bearing according to client's requirement.
- 2. This drawing is reference for user, if you need formal drawing, please contact with us sales@jcb-bearing.com, the official drawing will be submitted after order confirmation.



07	cage		STEEL		
04	roller		steel GCr15-GB/T18254		
02	shaft washer		steel GCr15SiMn-GB/T18254		
01	house washer		steel GCr15SiMn-GB/T18254		Weight (kg)
serial	Name	Qty	Material		146
				29380E	
Thrust spherical roller bearing				Add: No.3 Lianmeng road, Luoyang, Henan, China.	
				Postal: 471003 Website: www.jcb-bearing.com	
				Phone: +86-379-68611678 www.sphericalrollerthrustbearing.com	
				Fax: +86-379-68611679 E-mail: sales@jcb-bearing.com	
Luoyang JCB Bearing Technology Co., Ltd					